

ID700A

TWO WAY SOFT-CLOSE HARDWARE FOR HANGING SLIDING DOOR

Optimal Door Specification:

Features:

1. Single slide with bi-directional soft closing.
2. Adjustable soft-closing travel according to the door weight.
3. Maximum soft closing travel: 115mm.

Weight Capacity: 100KG

Door Thickness: Min. 30mm.

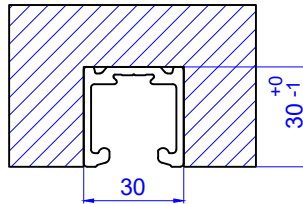
Door width: Max. 1500mm, Min 530mm.

Door Height: Max. 2400mm.

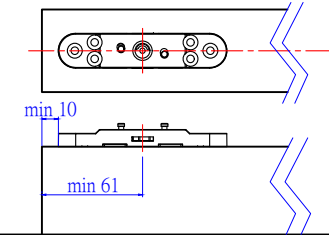
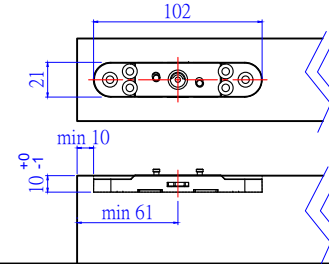
Door Height Adjustment: ± 3 mm with Quick Release Base

Including Screws: 6 pc's for Aluminum Track; 12 pc's for Quick Release Base

Track Dimension



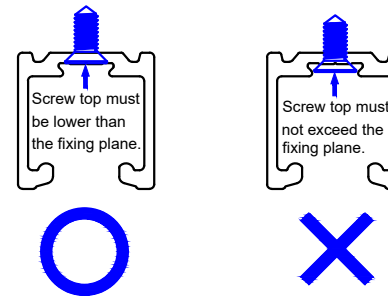
Size of the sink for assembling the quick release base on the door.



FS 700A Components:

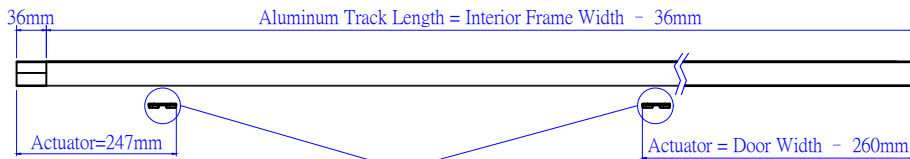
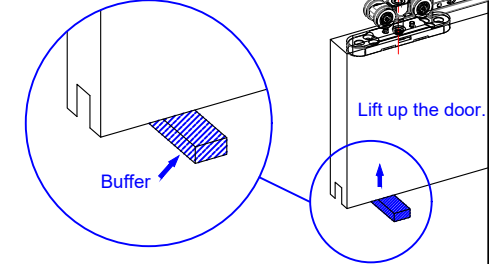
Contents	Bi-Directional Soft-Close Kits	Actuator	Allen Key	Repair Block	Adjustment Wrench	Quick Release Base	Hanger	Door Bottom Guide	Aluminum Track
Part									
Quantity	1	2	1	1	1	2	1	1	Not Included

Fixing the rail:



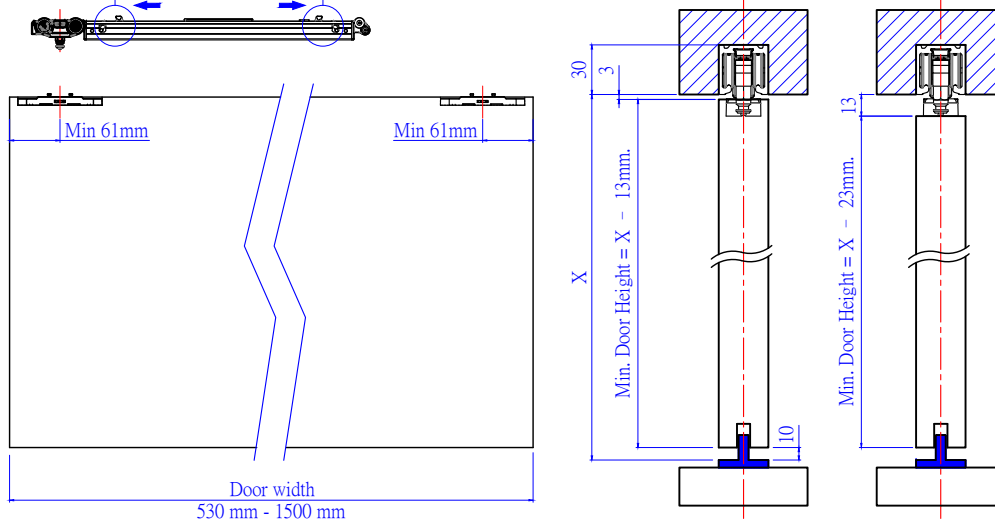
Before disassembling the door:

1. Please place buffer under the gap of the door before disassembling, in order to prevent damage to the quick release base.

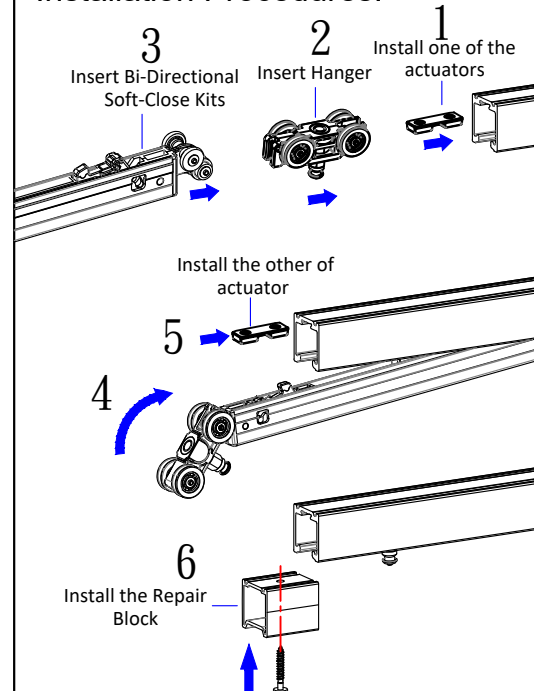


The weight of the door may influence the closing performance of the soft-close kits. Adjust the positions of the two actuators to attain the desired closing results.

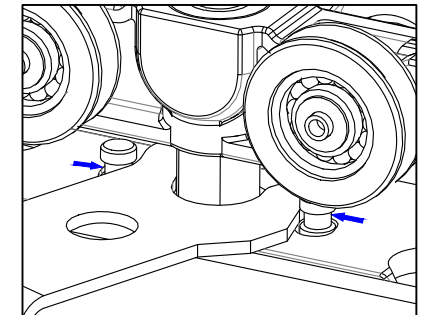
Note: Make sure both sides are opened before installing.



Installation Procedures:



2. Please put the wrench between the hanger and the quick release base as the picture shows.



3. Please lift up the door before disassembling.

Turn the wrench clockwise about 8 degrees to disassemble the door.

