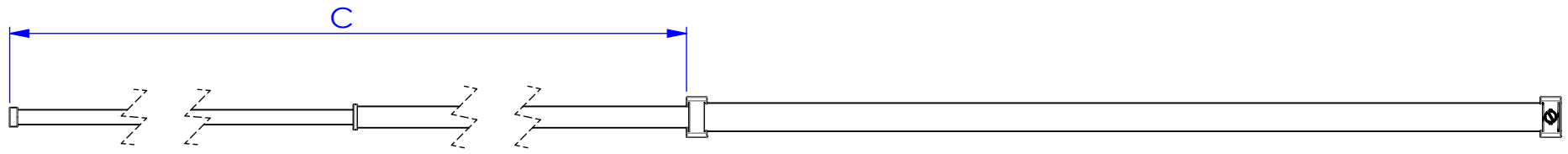
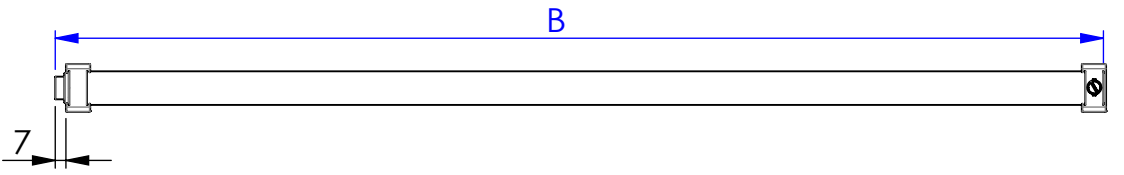
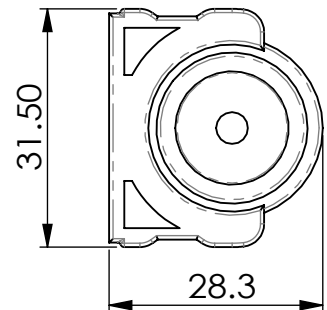
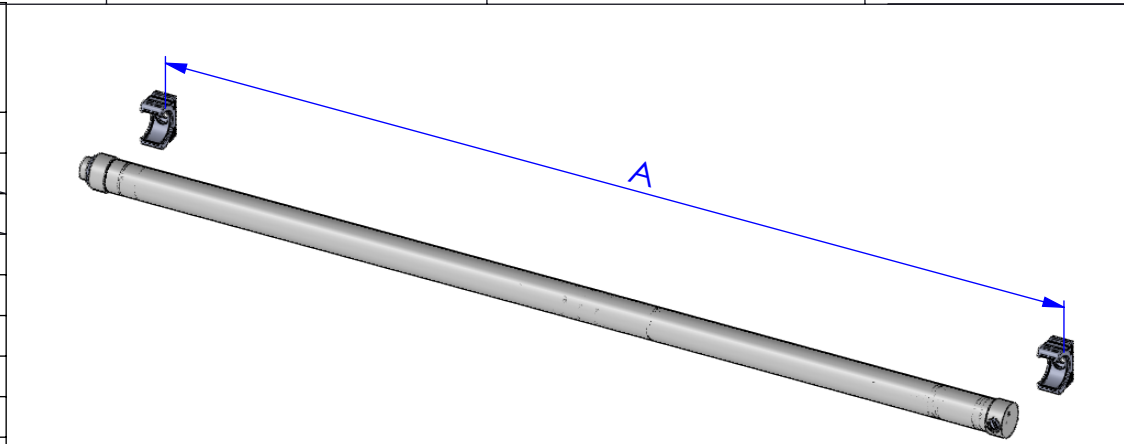


SERIES	A	B	C	RECOMMENDED DOOR WIDTH	
				mm	inch
6SDC-150	129	150	80		
6SDC-200	179	200	180		
6SDC-300	279	300	380	290~360	11.4~14.2
6SDC-350	329	350	480	340~460	13.4~18.1
6SDC-400	379	400	580	390~560	15.4~22.0
6SDC-500	479	500	780	490~760	19.3~29.9
6SDC-600	579	600	980	590~960	23.2~37.8
6SDC-693	672	693	1166	680~1150	26.8~45.3
6SDC-800	779	800	1380	790~1360	31.1~53.5
6SDC-900	879	900	1580	890~1560	35.0~61.4
6SDC-1000	979	1000	1780	990~1760	39.0~69.3



Item Name	6SDC-SERIES			Drawing No		Tolerance mm x.x +/- 0.1 x.xx +/- 0.05 Angles +/- 1 inch (.xx +/- 0.01) (.xxx +/- 0.005)	No. Y . M . D	New Dimension	Original Dimension	
	Process		Weight	Scale	1:5					
	Material		Unit	mm	Version					04
			Drawer	Jason						