



SLIDEX for outdoor use

--Use Place--

Entrance/Exit are facing outdoors
(Public Toilet, Public Facility and Stor etc)

Only use for Steel Doors

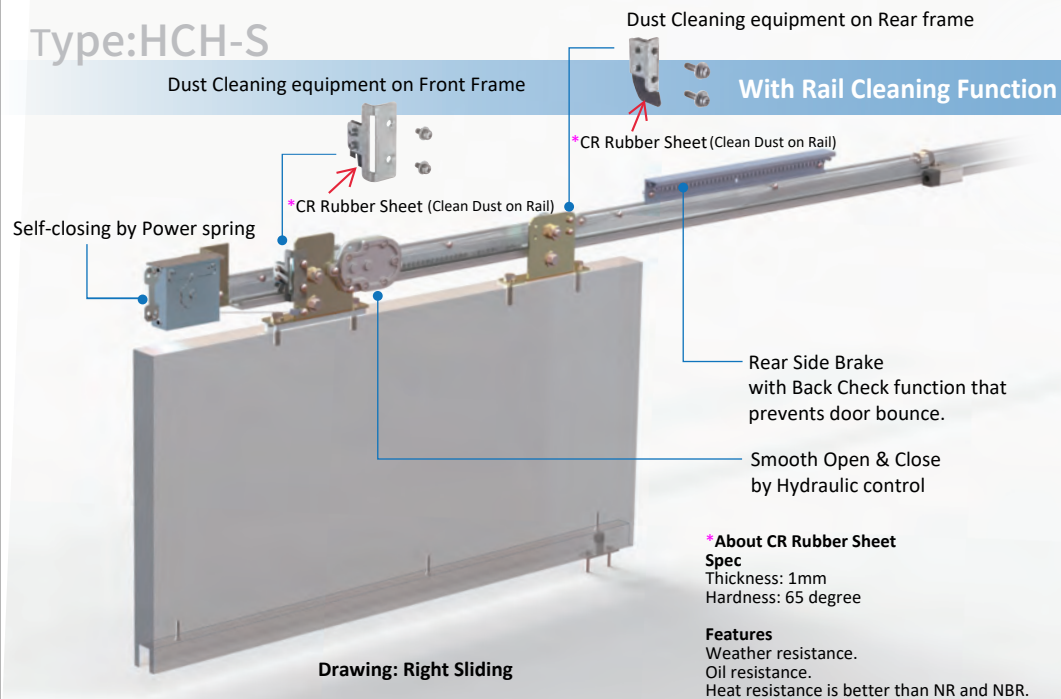


New Type of Slidex with Antirust treatment processing that corresponds to Outdoor use.

Cleaning sheet(CR Rubber Sheet) equipped on the main unit that cleans Dust and Sand accumulated on Rail every time Door open & close, which makes Rail movement smoothly.



Type:HCH-S



Slidex For Outdoor Use




HCH-S

NEW

Recommended Temperature
0~40℃

- For Public Facility Door
- Brake/Hydraulic
- Back Check Function
- For Steel Door

Horizontal Rail / Wall mount / Self-Closing

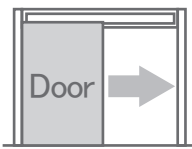
Door Weight	Model	Horizontal Rail	Wall Mount	Self-Closing	Door Width(mm)	
					30S/60S	800-1300 (Effective Opening Dimension: 650-1150)
10-30kg/door	HCH-30S / HCH-3015S*	  30S · 60S · 80S : ø2200mm 3015S · 6015S · 8015S : ø2800mm		Self-Closing by Spring Drive & Slow-Closing by Hydraulic Control	3015S/6015S	1300-1500 (Effective Opening Dimension: 1150-1350)
30-60kg/door	HCH-60S / HCH-6015S*				80S	800-1300 (Effective Opening Dimension: 650-1150)
60-80kg/door	HCH-80S / HCH-8015S*				8015S	1300-1500 (Effective Opening Dimension: 1150-1350)

One-Side Sliding

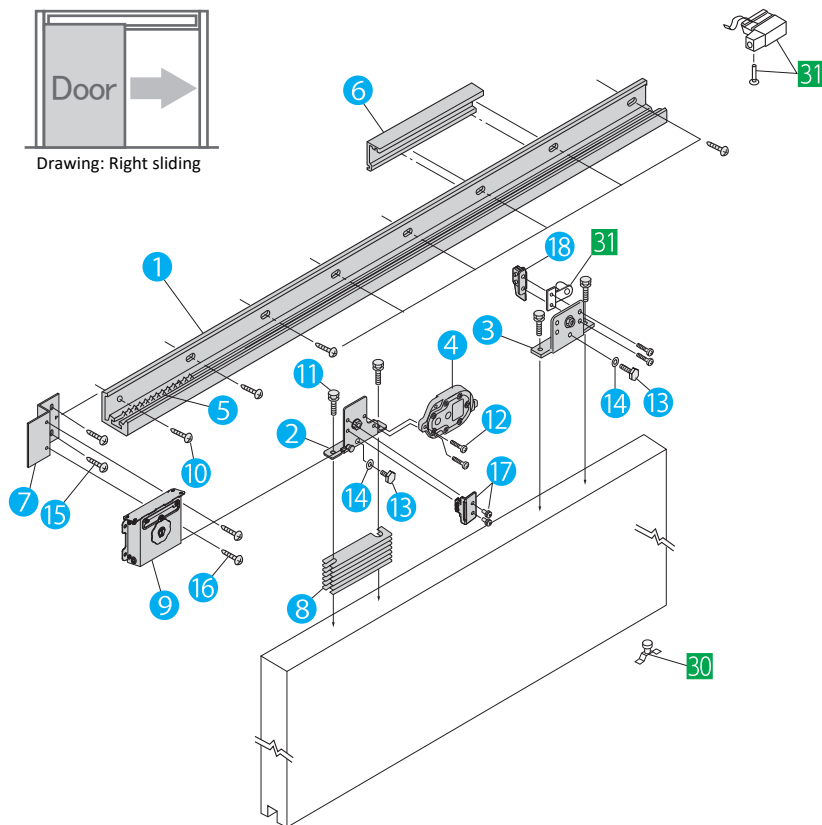
R: Right Sliding L: Left Sliding

* is made to order

SLIDEX for outdoor use



Drawing: Right sliding



Basic Parts

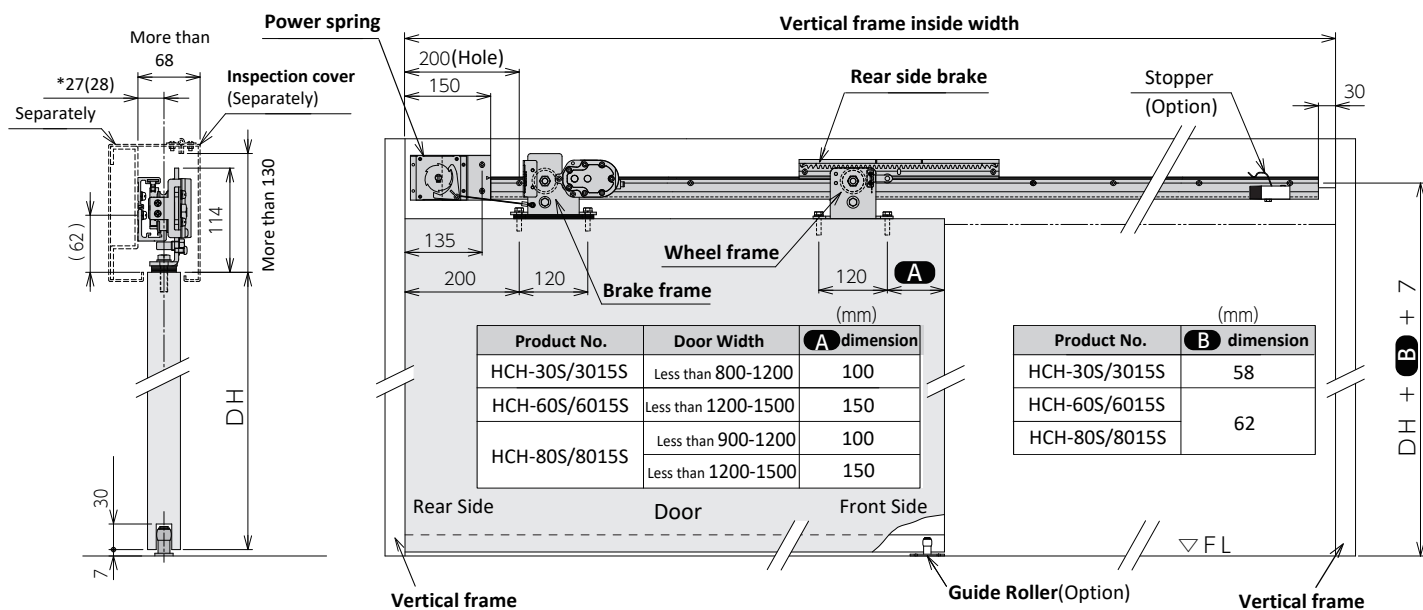
Name	Material	Qty
1 Aluminum Rail L=2200(L 2800)	Aluminum material	1
2 Front hanger roller	Steel (Antirust treatment), resin	1
3 Rear hanger roller	Steel (Antirust treatment), resin	1
4 Hydraulic control	ADC12, etc	1
5 Braking rack	Resin (with G), Urethane	1
6 Rear side brake	Aluminum, Resin, Urethane	1
7 Power spring installing plate	Steel (Antirust treatment)	1
8 Height adjustment plate	Steel (Antirust treatment)	7 (1)
9 Power spring	Steel (Antirust treatment), resin	1
10 M5 x 16 pan head screw	Stainless Steel	10[12]
11 M8 x 35 hexagon special nut	Stainless Steel	4
12 M5 x 16 spring washer, pan head screw	Stainless Steel	2
13 Latch Hexagon special bolt	Steel (Antirust treatment)	2
14 Nominal 10 dia countersunk spring washer	Stainless Steel	2
15 M5 x 12 pan head screw	Stainless Steel	2
16 M4 x6 pan head screw	Stainless Steel	2
17 Dust Clean equipment (on brake frame)	Steel (Antirust treatment), CR Rubber	1
17 M5 x 12 pan head screw	Stainless Steel	2
18 Dust Clean equipment (on roller frame)	Steel (Antirust treatment), CR Rubber	1
18 M4 x 14 pan head screw	Stainless Steel	2

Option

Product No.	Name	Material	Qty
30 HCS-GRO-16 HCS-GRO-25 HCS-GRO-30	Guide Roller	Stainless, Urethane (Stop ring is steel material)	1
31 HCHY-STR HCHY-STL	Door Stopper	Aluminum material, Synthetic rubber	1
	Stopper Roller	Steel(Antirust treatment), Resin	1
	M6 x 20 Hexagon Bolt	Steel(Antirust treatment)	1
	M5 x 12 pan head screw	Steel(Antirust treatment)	2

Fitted diagram

Drawing: Right sliding (Seen from front Inspection Cover)



Remarks: When Installing and Using

- Oil is filled in Hydraulic Control Device.
Don't turn needle valve more than 2 times in left direction from its initial state.
This connect to the possibility of brake ineffective.
- Be sure to mount the adjustment fixing screw after adjusting the power spring.
Be sure to open/close confirmation each half turning when adjusting the power spring.
Roll over may connect to the spring broken.
- Close the door in hand-powered when strong window blows because the self-closing function may not work.
- Be sure to install the inspection cover(With both ends).
- Don't direct rain on the parts. This connect the cause of malfunction.
- Clean Rail and Parts when sand and dust attached on it.
This connect the cause of not self-closing function working.



DAIKEN Web Site

<https://www.daiken.ne.jp/eng/>