

SLIDEX HORIZONTAL TYPE HCH-80NB/HCH-8015NB

HCH-80NB Door weight: 60 to 80kg. Door width: 900 to 1,300mm (Maximum opening width: 750 to 1,150mm)

HCH-8015NB Door weight: 60 to 80kg. Door width: 1,300 to 1,500mm (Maximum opening width: 1,150 to 1,350mm)

* When using a stopper for a door pocket for sliding doors, keep the sliding margin between 100 and 150mm so that the brake on the door end can be installed or removed at the opening.

■ Simple installation without professional techniques

● Using the endless-type hydraulic control and a rack assembled into the rail allows for easy handling. (PAT)

■ Ideal functions

● The brake on the door end side reduces impact even when the door is opened forcibly, preventing damage to hardware and stoppers. (PAT)

■ New design for smooth opening and closing

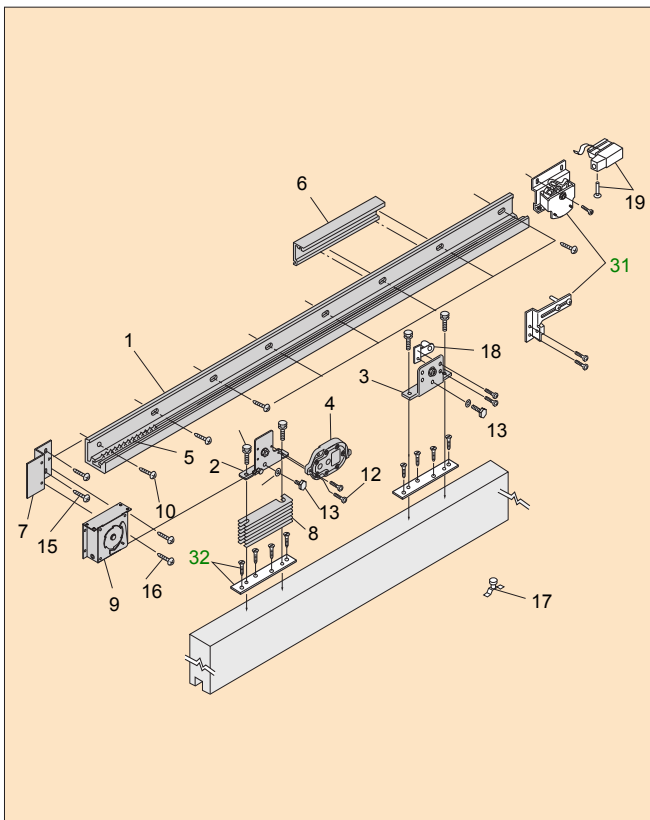
● The built-in temperature adjusting device (PAT) of the hydraulic control provides constant opening power and door-closing speeds regardless of opening dimensions ranging from minus 10 to 40degrees, thus allowing for firm control of the door even under slightly opening conditions.

■ Door opening power categorized by door weight

Door weight (kg)	Door opening power (N)	Door opening power (Kg)
60	11. 2	1. 14
70	13. 9	1. 42
80	15. 8	1. 61

● Products are available in the right hand sliding HCH-80NBR and HCH-8015NBR and the left hand sliding HCH-80NBL and HCH-8015NBL

Part details



Basic parts name		Material	Number	
Basic parts	1	Aluminum rail L=2200mm [2800]	Aluminum materials	1
	2	Front hanger roller	Steel (Chromed, resin)	1
	3	Rear hanger roller	Steel (Chromed, resin)	1
	4	Hydraulic control	ADC12 and others	1
	5	Braking rack	Resin (with G), Urethane	1
	6	Rear side brake	Aluminum, Resin, Urethane	1
	7	Power spring installing plate	Steel (Chromed)	1
	8	Height control plate	Steel (Processed steel plate)	7(1)
	9	Power spring	Steel (Chromed)	1
	10	M5x16 pan head screw	Steel (Chromed)	10[12]
	11	M8 x 35 hexagon special nut	Steel (Chromed)	4
	12	M5 x 12 pan head screw	Steel (Chromed)	2
	13	Latch hexagon special bolt	Steel (Chromed)	2
	14	Nominal 10 dia. countersunk spring washer	Stainless	2
	15	M5 x 12 pan head screw	Steel (Chromed)	2
	16	M4 x 6 pan head screw	Steel (Chromed)	2
	17	Guide roller	Stainless, Urethane	1
18	Stopper	Aluminum, Synthetic rubber	1	
	Stopper roller	Steel (Chromed resin)	1	
	M6 x 20 hexagon bolt	Steel (Chromed)	1	
	M5 x 12 pan head screw	Steel (Chromed)	2	

Optional parts name		Material	Number
30	Delayed timer body	Steel (Chromed resin, others)	1
	Time adjustment plate	Steel (Chromed)	1
31	Wooden door plate	Steel (Chromed)	2
	Nominal dia. 5x30 countersunk tapping	Steel (Chromed)	8

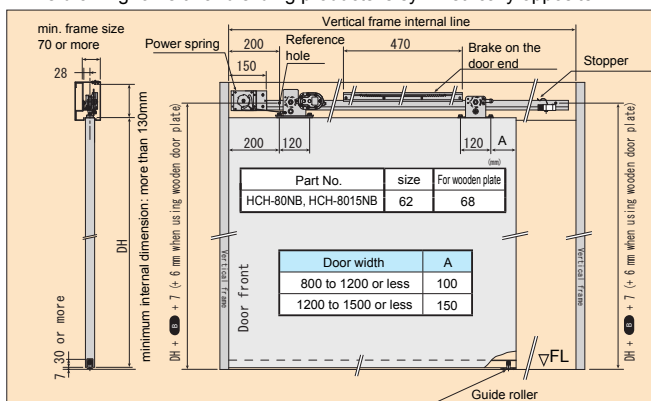
Dimensions and numbers enclosed in [] are specified for the HCH8015NB. Dimensions of other parts are the same as for the HCH80NB.

Numbers enclosed in () are for spare parts.

Stopper (#18) and delayed timer (#30) can not be used together.

Assembly view This view is for a right hand sliding door. (Viewed from the inspection cover side.)

* The drawing for left hand sliding products is symmetrically opposite.



- Inspection covers and guide rails are optional.
- Be sure to use a guide roller.
- Install the rail 6mm higher when using a wooden door plate.
- The minimum internal size for the installation surface is at least 160mm* when using a stopper for a door pocket for sliding doors.
- Be sure to install the frame vertically.
- Install the power spring wire when the door is in a closer position.